



DIMENSIONS



SPECIFICATION

Selected 2024 - 2025

SPECIFICATION VARIANCES

The specification sheet are provided for planning and carrying out rough-in for plumbing purposes only.

Dimensions on the actual vanities will vary in many areas but the basic rough-in location will be almost accurate [within 1/2" to and 1"] but this will not have any impact on installation.

If the quartz tops are not purchased from Luxor, proper fabrication is recommended. Cabinets have functional top drawers and usually larger/higher drawer boxes, using improper quartz top will result in top drawers hitting the sink.

Undermount sinks vary in sizes our Cabinets and Tops are designed to fit 20" x 15" [outside measurements] any other size used might result in doing modifications on the cabinet frame.

Luxor cannot be held responsible for any expenses incurred as a result of the customers/contractors not following the guidelines.

For more information/details visit www.luxorbydesigns.com or email info@luxorbydesigns.com or call 416 74LUXOR.

LUXOR DESIGN STUDIO

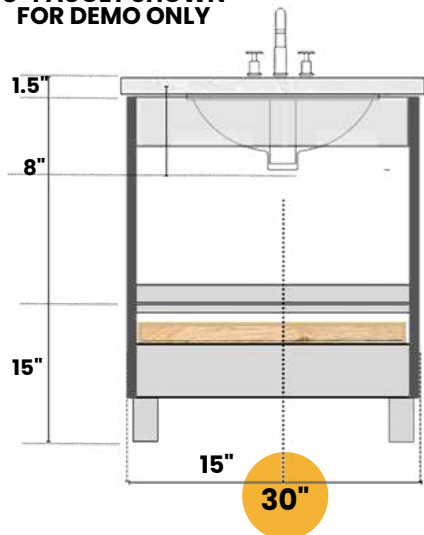


X DIMENSIONS

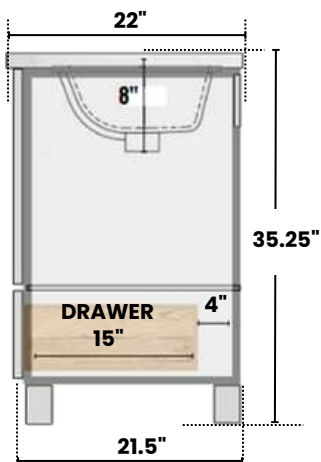
Plumbing SPECIFICATIONS

BACK VIEW

8" FAUCET SHOWN FOR DEMO ONLY

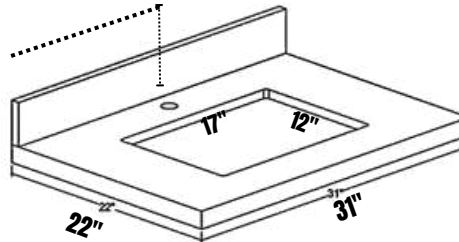


SIDE VIEW



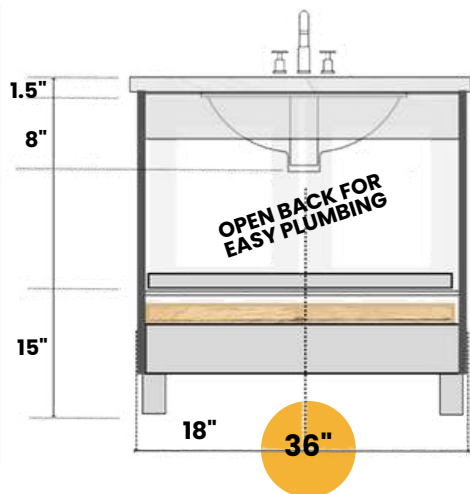
STANDARD SINGLE HOLE DRILLED

SINK CENTER 15.5"

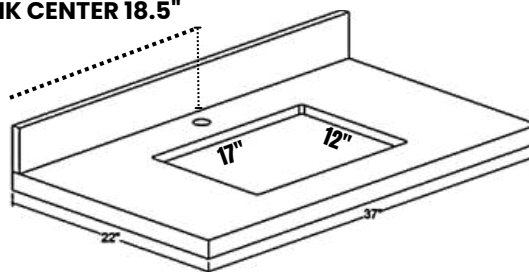


MITRE EDGE 1-1/2"

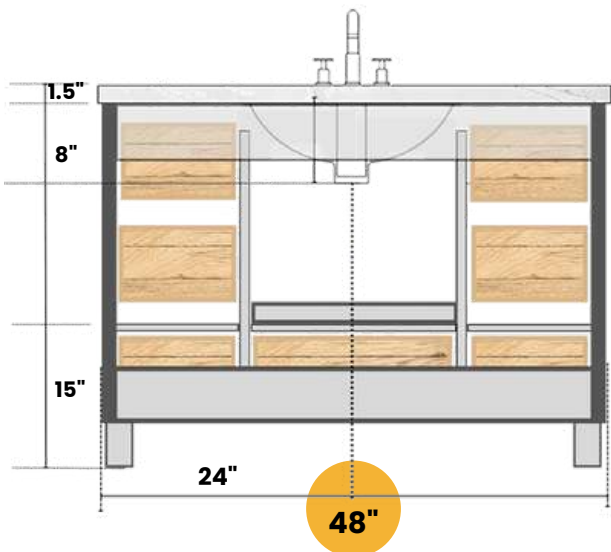
FOR 30" CABINET USE 15" AS THE SINK CENTER



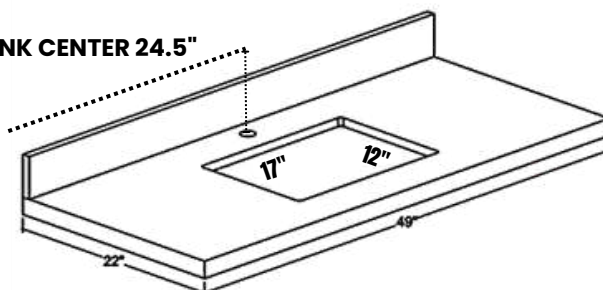
SINK CENTER 18.5"



FOR 36" CABINET USE 18" AS THE SINK CENTER



SINK CENTER 24.5"



FOR 48" CABINET USE 24" AS THE SINK CENTER

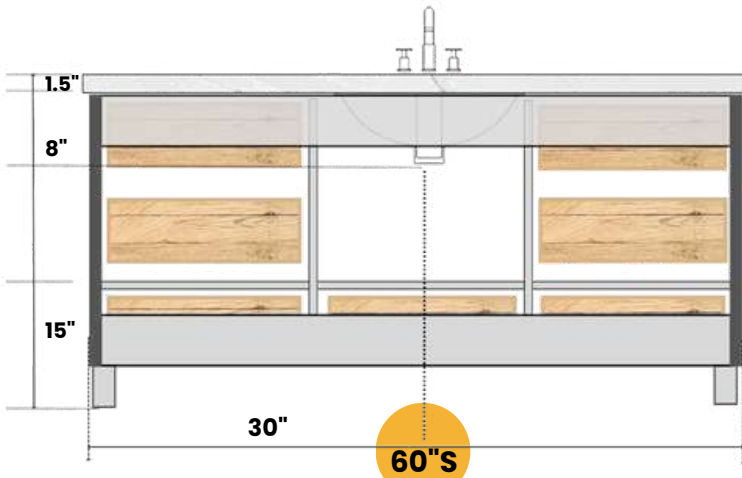


DIMENSIONS

Plumbing SPECIFICATIONS

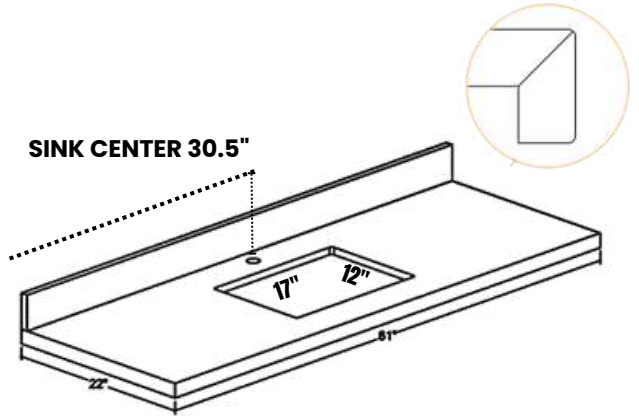
8" FAUCET SHOWN
FOR DEMO ONLY

BACK VIEW

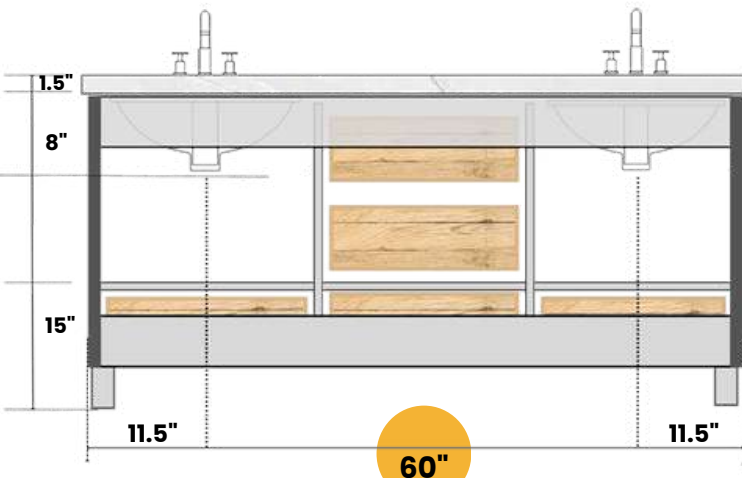


STANDARD SINGLE HOLE DRILLED

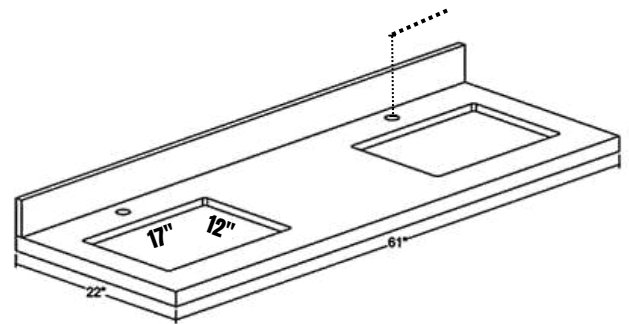
MITRE EDGE 1-1/2"



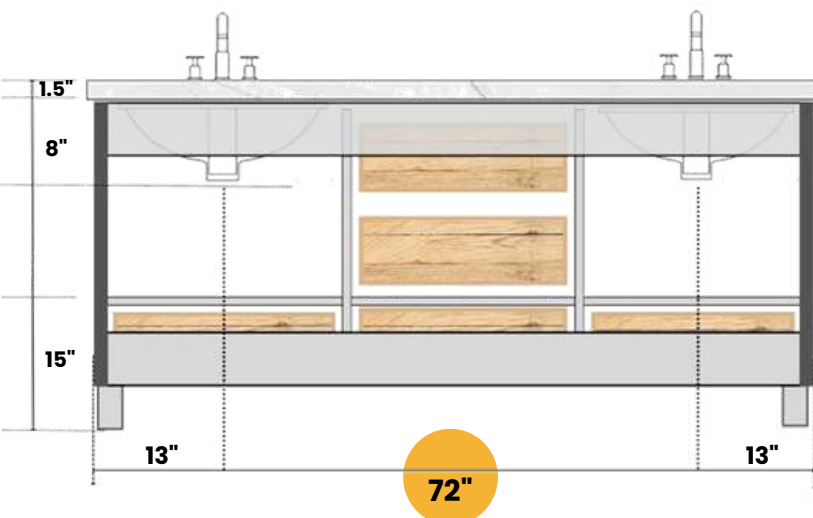
FOR 60" SINGLE CABINET USE
30" AS THE SINK CENTER



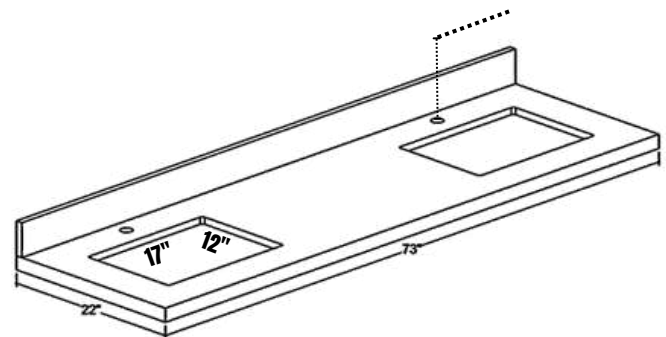
SINK CENTER 12.0"



FOR 60" CABINET USE 11.5"
AS THE SINK CENTER



SINK CENTER 13.5"



FOR 72" CABINET USE 13.0"
AS THE SINK CENTER